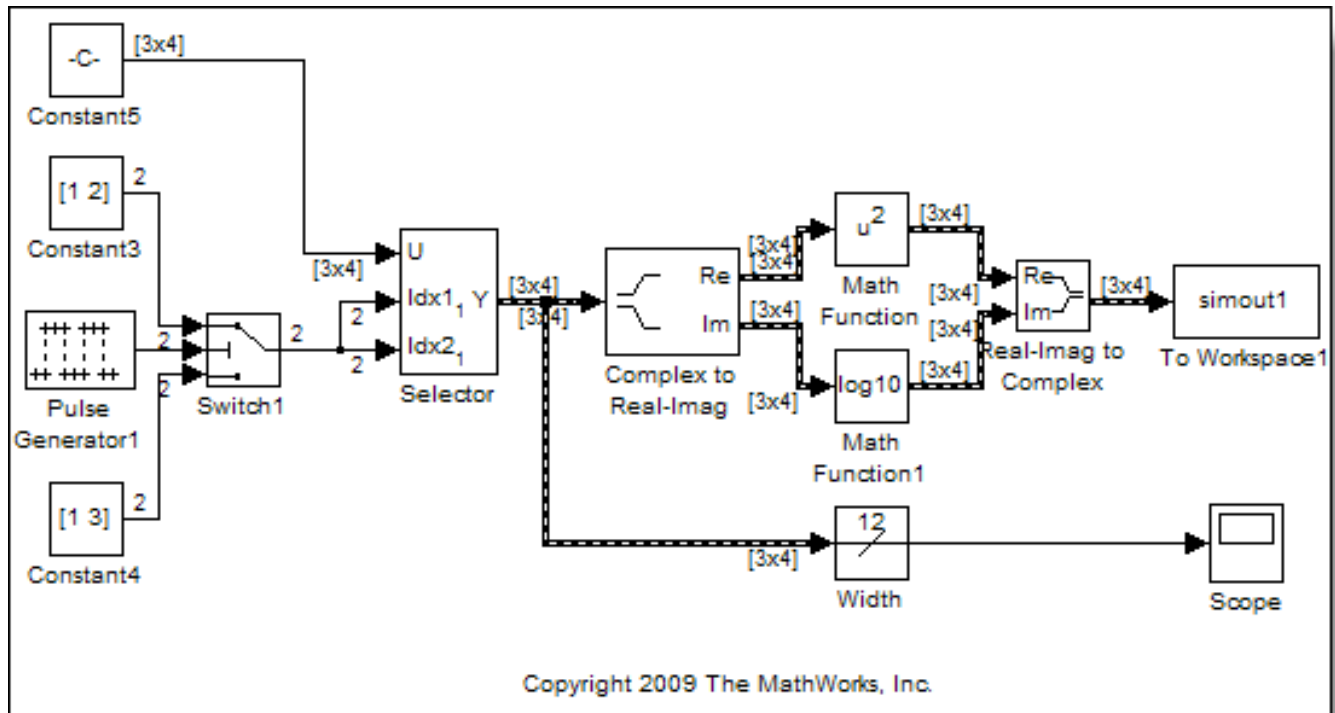


Net Monitor For Employees Professional 4.8.5 Crack



DOWNLOAD: <https://tinurli.com/2947u3>

Download

7c23cce9bc

[Download Full Movie Counterfeit: Part 2 In Hindi](#)
[Ek Hasina Thi 2 Movie Online 720p Hd](#)
[Free 3dsexvilla Full Version](#)
[skinnyfans.com siterip extreme anorexic women 1482 28](#)
[Autoturn 6.0.1 License Number Cd Key.rar](#)